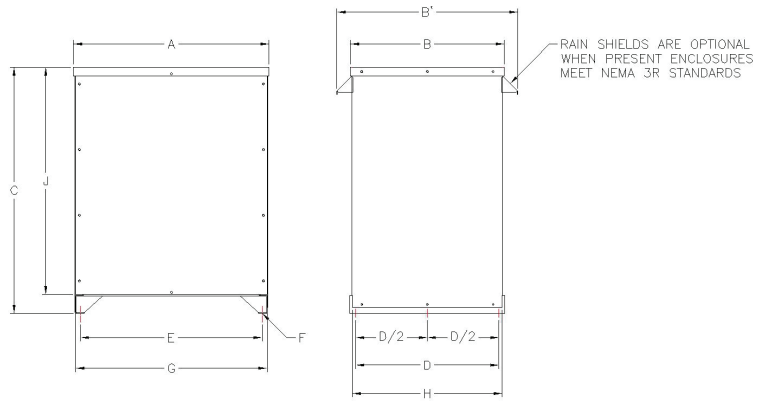




MAGNETIC SPECIALTIES



ENCLOSURES

Magnetic Specialties stocks a full line of pre-engineered steel enclosures. These enclosures are designed to be easily shipped on a pallet and assembled at your facility as needed.

FEATURES

- NEMA 1 or NEMA 3R with rain shields
- “Knock Down” design for pallet shipping
- ANSI 61 gray powder coat finish
- Hardware kit included
- Fork liftable

MSI MODEL	OUTSIDE DIMENSIONS				MOUNTING DIMENSIONS			MAX INSIDE DIMENSIONS			WEIGHT	
	A	B	B*	C	D	E	F (DIA)	G	H	J	STD	WITH R/S
100	12.00	12.00	16.38	15.25	10.00	10.75	(6).38	11.63	11.69	12.00	25#	27#
101	19.63	15.63	20.00	23.75	12.00	18.13	(6).38	19.25	15.13	19.12	43#	46#
102	25.38	17.75	22.13	28.69	14.75	23.81	(6).38	24.88	17.38	24.13	85#	89#
103	32.69	25.88	32.56	41.25	24	30.38	(4).56	32.13	25.25	38.63	167#	188#
104**	45	35.88	46.63	43.25	35.38	42.44	(6).56	44.50	35.38	40.13	350#	415#

* Across rain shield

** Consult factory for options and design

Contact us and we will partner with you to design a solution that works seamlessly in your application.

Magnetic Specialties, Inc.
174 Keystone Drive, Telford, PA 18969

267-384-5231

magspecinc.com

Made in the USA